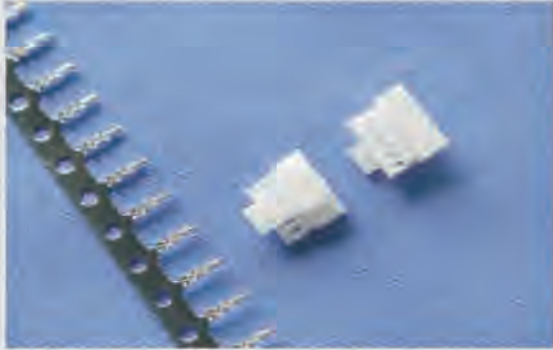


# B100003



- ▶ 主要技术特性 (Main Specifications)
- ▶ 适用导线规格 (Applicable wire) : AWG32#~28#
- ▶ 适用基板厚度 (Applicable PC board thickness) : 0.8mm
- ▶ 温度范围 (Temperature range) : -25°C ~ +85°C
- ▶ 额定电压 (Voltage rating) : 125V AC, DC
- ▶ 额定电流 (Current rating) : 1A AC, DC
- ▶ 接触电阻 (Contact resistance) :  $\leq 0.01\Omega$
- ▶ 绝缘电阻 (Insulation resistance) :  $\geq 100M\Omega$
- ▶ 耐压 (Withstanding voltage) : 250V AC/minute

## 材料及电镀规格 Material and Finish

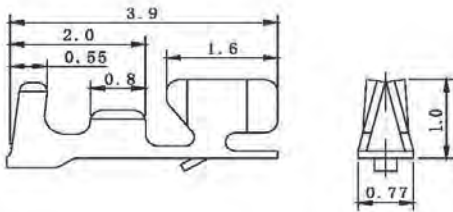
型号 Type	材料 Material	材料厚度 Material Thickness	电镀规格 Finish
孔座 HOUSING	PA66 UL94V-0	—	N/A
端子 TERMINAL	锡青铜 Phosphor bronze	0.12mm	镀锡 Tin-plated

## 产品尺寸图 Product size chart

 单位: mm 一般公差:  $\pm 0.20$ 

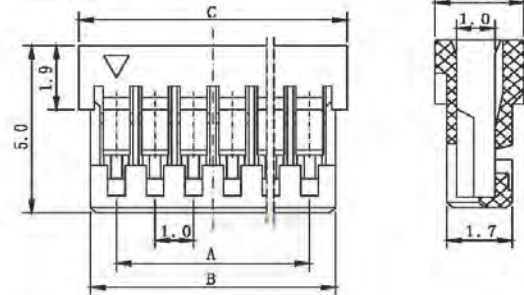
### TERMINAL

B100003-4 1W100270P-2

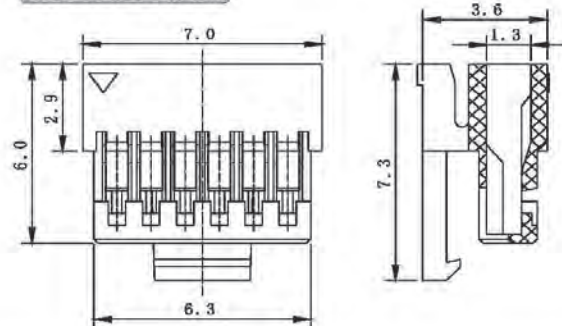


### HOUSING

B100003-2



B100003-2-06HK



### HOUSING

极数 Circuits	型号 Type	尺寸 (Dimensions) mm			备注型号 P. S. Type
		A	B	C	
4	B100003-2-04	3.0	4.3	5.0	W1002H00-04
5	B100003-2-05	4.0	5.3	6.0	W1002H00-05
6	B100003-2-06	5.0	6.3	7.0	W1002H00-06
7	B100003-2-07	6.0	7.3	8.0	W1002H00-07
8	B100003-2-08	7.0	8.3	9.0	W1002H00-08
9	B100003-2-09	8.0	9.3	10.0	W1002H00-09
10	B100003-2-10	9.0	10.3	11.0	W1002H00-10
11	B100003-2-11	10.0	11.3	12.0	W1002H00-11
12	B100003-2-12	11.0	12.3	13.0	W1002H00-12