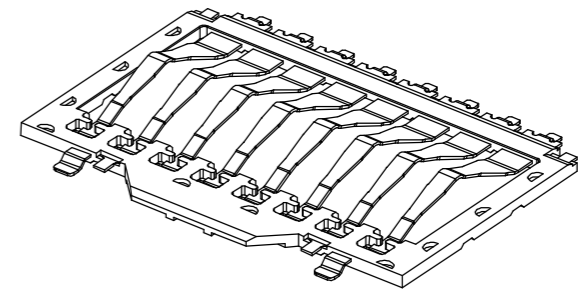
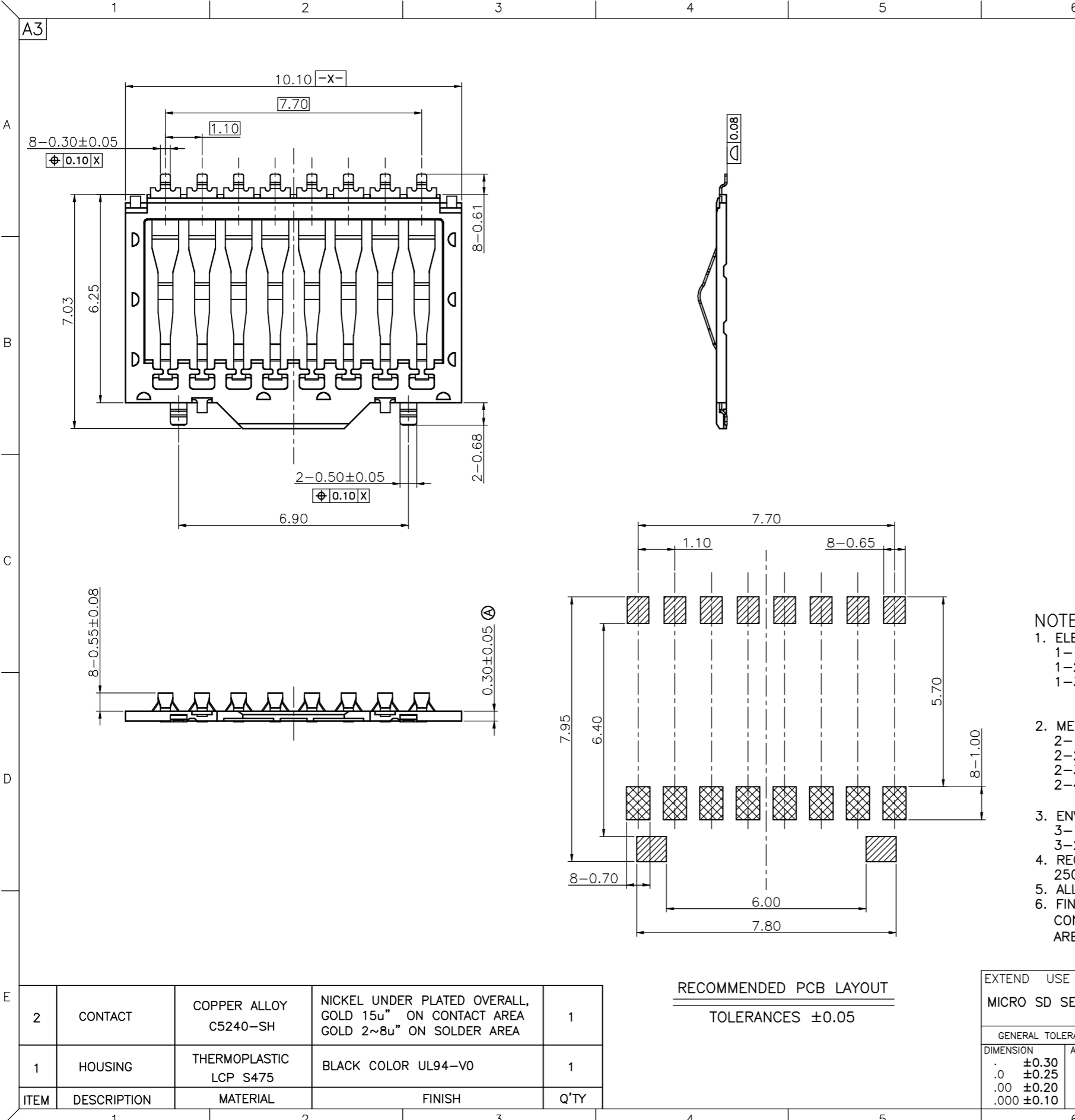


REV	ECN NO	DESCRIPTION	DATE	APPD
X1	ECN1808***	INITIAL RELEASE	2018.08.16	Andrew
A	ECN1911***	CHANGE DIMENSION 0.30±0.03 TO 0.30±0.05	2019.11.07	Andrew



NOTES:

- ELECTRICAL CHARACTERISTICS:**
 - CONTACT CURRENT RATING: 0.5A MAX.
 - CONTACT RESISTANCE: 100 mOHMS MAX.
 - INSULATION RESISTANCE:
 - INITIAL: 1000 MOHMS MIN.
 - AFTER TEST: 100 MOHMS MIN.
- MECHANICAL CHARACTERISTICS:**
 - RETENTION FORCE: 100gf MIN.
 - SHEAR FORCE: 3.5kgf MIN.
 - DURABILITY : 5000 CYCLES.
 - NORMAL CONDITION DISPLACEMENT 0.45MM
CONTACT NORMAL FORCE 30gf~70gf/Pin.
- ENVIRONMENT CHARACTERISTICS:**
 - OPERATING TEMPERATURE: -25°C~85°C
 - STORAGE TEMPERATURE: -40°C~85°C
- RECOMMENDED IR REFLOW PORCESS PEAK TEMPERATURE: 250±5°C, DURATION 10s MAX.
- ALL SMT CONTACTS AND PADS CO-PLANARITY: 0.08mm MAX
- FINISH:**
CONTACT: NICKEL PLATING OVERALL, Au 2~8u" PLATING AT SOLDER AREA, Au 15u" MIN AT CONTACT AREA.

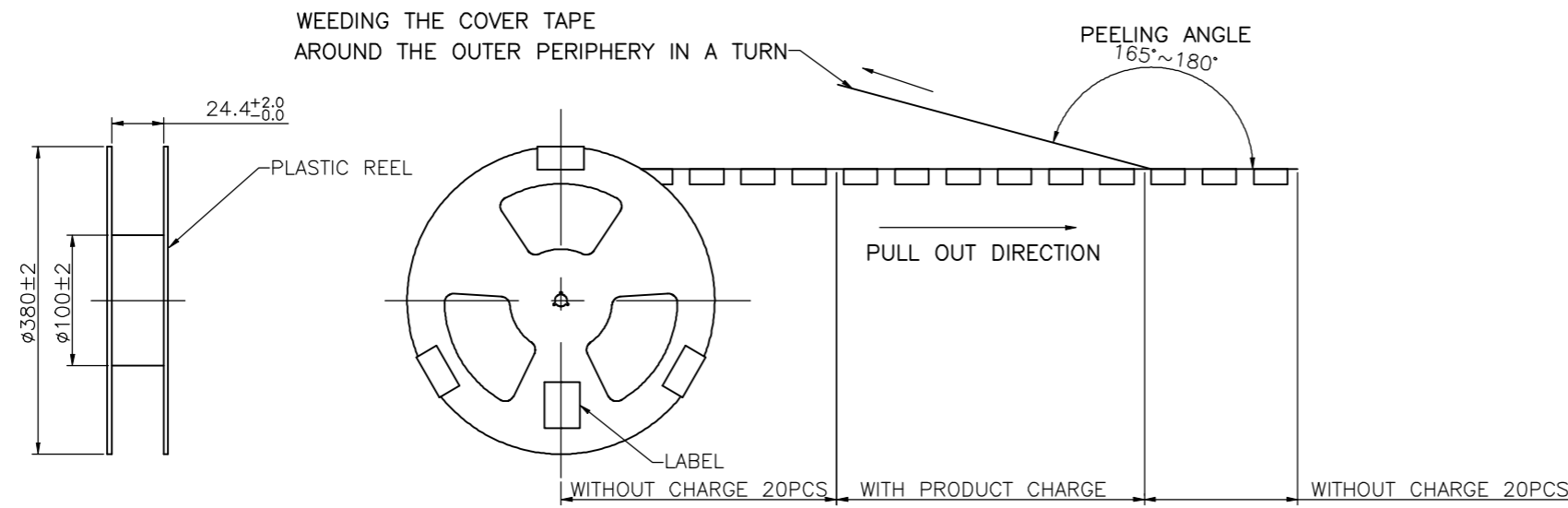
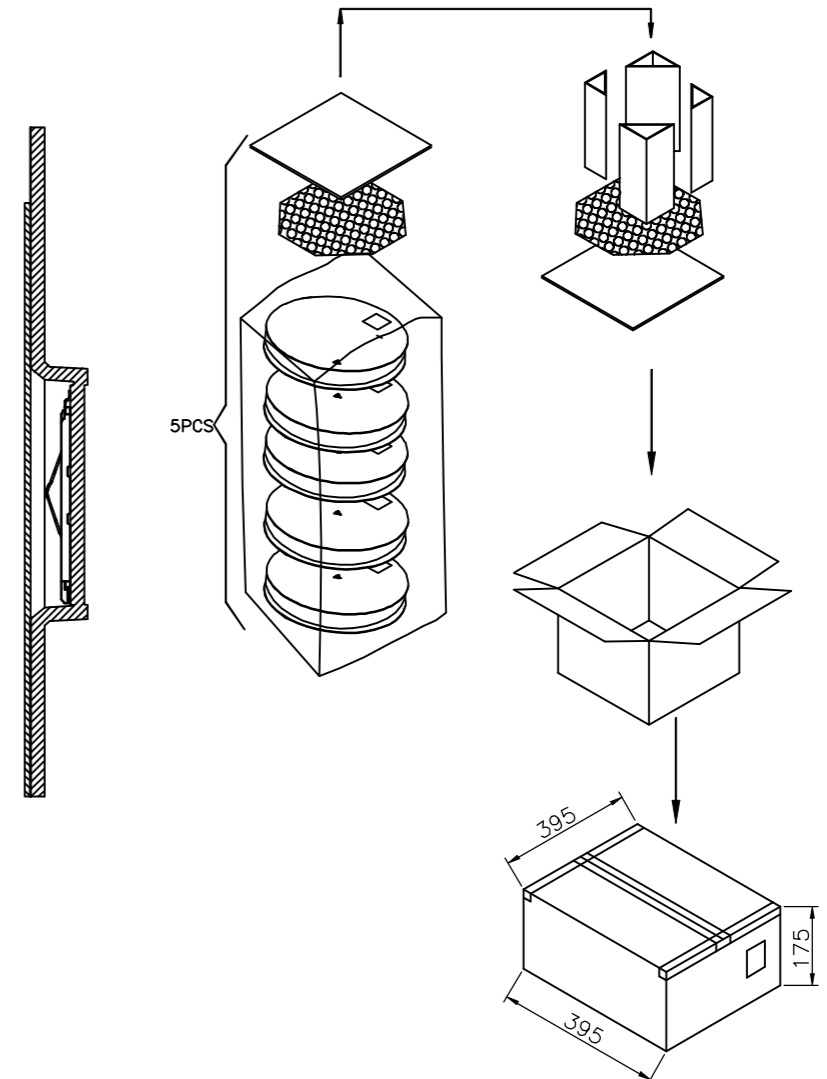
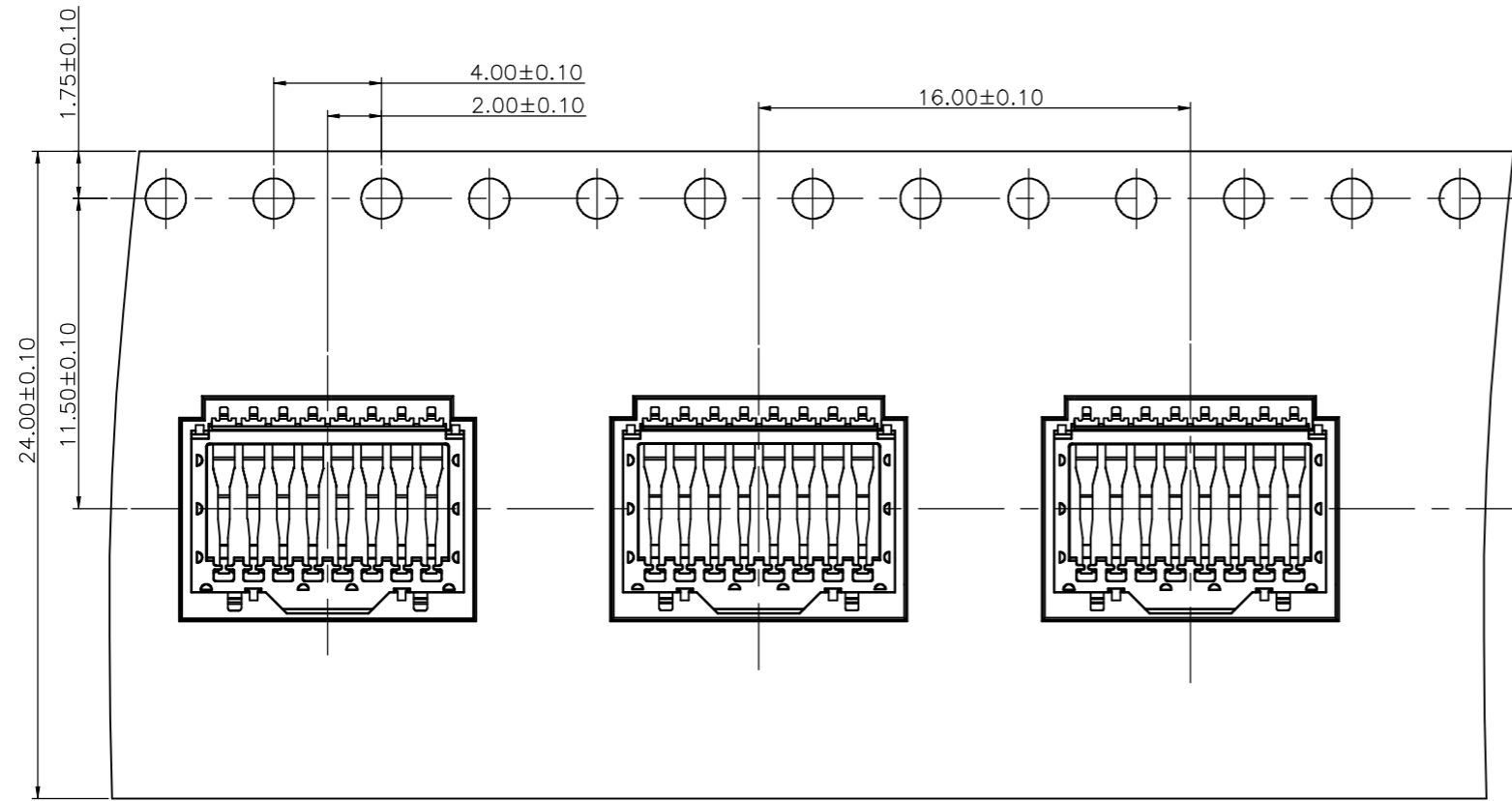
RECOMMENDED PCB LAYOUT
TOLERANCES ±0.05

ITEM	DESCRIPTION	MATERIAL	FINISH	Q'TY
2	CONTACT	COPPER ALLOY C5240-SH	NICKEL UNDER PLATED OVERALL, GOLD 15u" ON CONTACT AREA GOLD 2~8u" ON SOLDER AREA	1
1	HOUSING	THERMOPLASTIC LCP S475	BLACK COLOR UL94-V0	1

EXTEND USE		TITLE	FAF.	
MICRO SD SERIES 0.3H	UNIT mm	1.080A0 CONN Customer Drawing	DWG NO	C-1.080A0
GENERAL TOLERANCE $\text{\textcircled{A}}$	MATERIAL	APPD Andrew 2019.11.07	P/N: 1.080A0-008-5R0	
DIMENSION	ANGLES	QTY	CHD	SHEET SCALE
. ±0.30	. ±3'	FINISHED	DRN Ted 2019.11.07	1/2 1:1
.0 ±0.25	.0 ±2'			REV A
.00 ±0.20	.00 ±1'			
.000 ±0.10				

A3

REV	ECN NO	DESCRIPTION	DATE	APPD
		SEE SHEET*1*		



- Notes:
- MATERIAL:
CARRIER TAPE: PS.
COVER TAPE: PE,PET,PEF
 - Q'TY: 2600PCS/REEL, 13000PCS/CARTON
 - PEELING FORCE: 20gf~130gf.

EXTEND USE		TITLE		F.A.F.	
MICRO SD SERIES 0.3H		1.080A0 CONN Customer Drawing		DWG NO	
UNIT mm		APPD		C-1.080A0	
GENERAL TOLERANCE		MATERIAL		P/N:	
①		APPD		1.080A0-008-5R0	
DIMENSION		QTY		SHEET	
.0 ±0.30		CHD		2/2	
.0 ±0.25		DRN		SCALE	
.00 ±0.20		Ted		1:1	
.000 ±0.10		2019.11.07		REV	
				A	