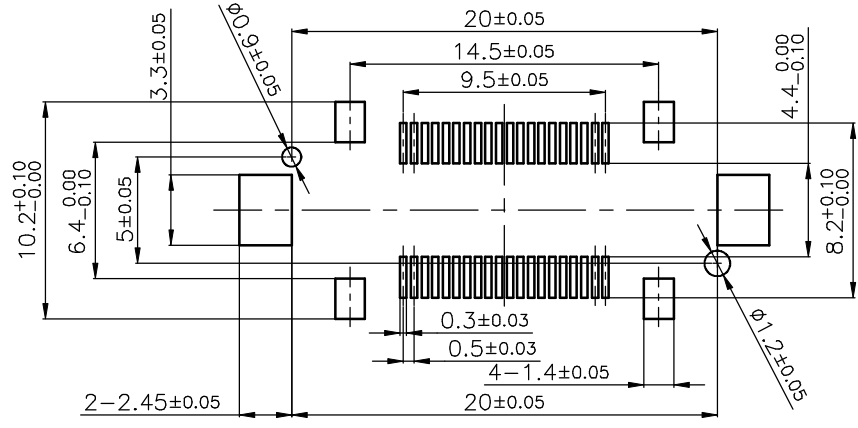
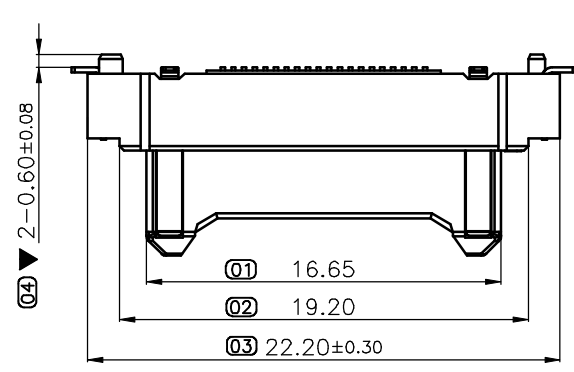
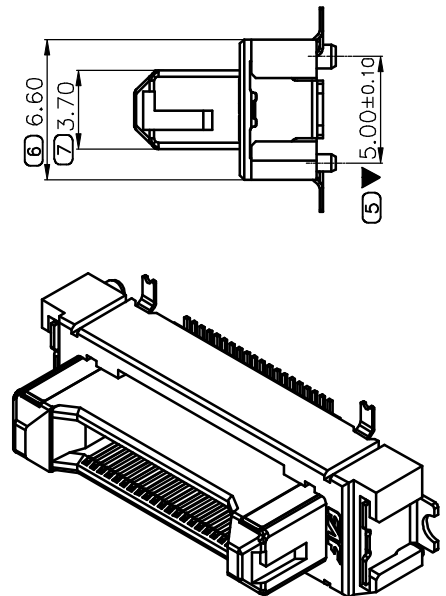


REV	ECN NO	DESCRIPTION	DATE	APPD
X1	ECN1909***	INITIAL RELEASE	2019.09.26	BILL
X2	ECN1910***	INITIAL RELEASE	2019.10.10	BILL
X3	ECN1910041	INITIAL RELEASE	2019.10.30	BILL
X4	ECN2003***	INITIAL RELEASE	2020.03.03	BILL

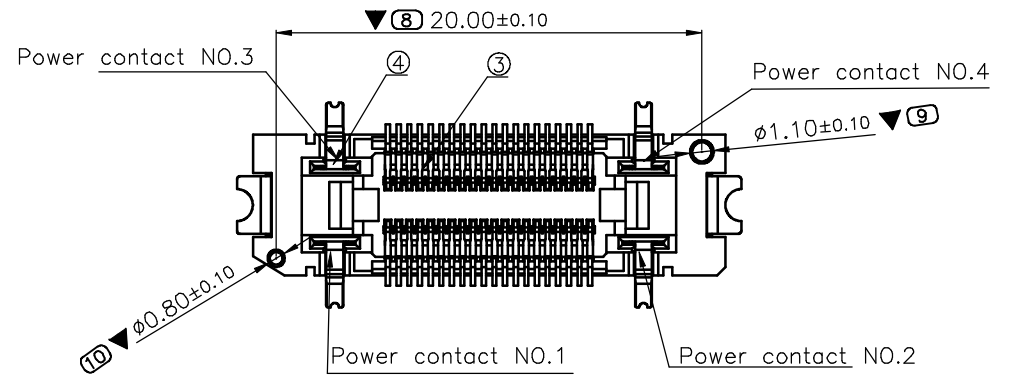


NOTE:
 1. Lead CO-Planarity is 0.1mm MAX
 2. Floating range of this connector is ±0.6mm.
 The maximum cycle time of floating operation is in accordance with the mating cycle of the connector
 3. It shows vacuum pickup area.
 Remove the cover tape before mating connector
 4. Blemish and hit mark can be occurred through out the manufacturing process which doesn't affect quality level
 5. The dimensions of parentheses are for references
 6. The symbols for important control dimensions: ▼
 The symbols for key control dimensions: ▽
 The symbols for FAI dimensions: (**)

RECOMMENDED LAND PATTERN DIMENSION OF PCB
 (PCB THICKNESS :T=0.70mm)



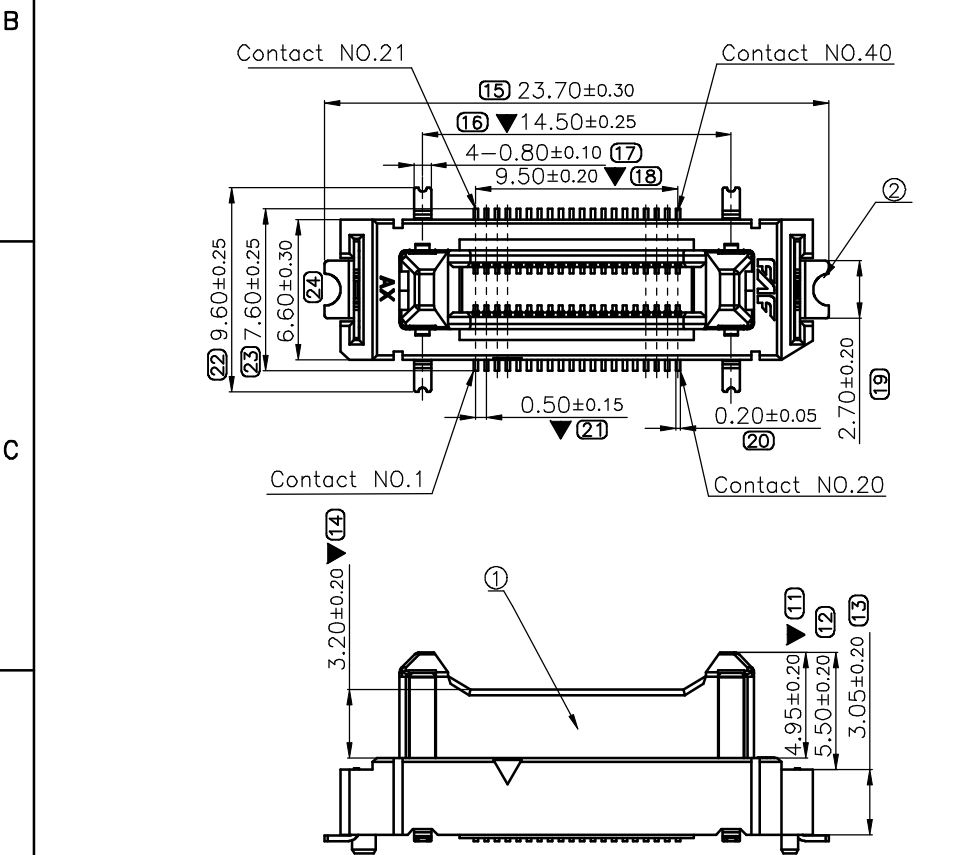
3D MODEL



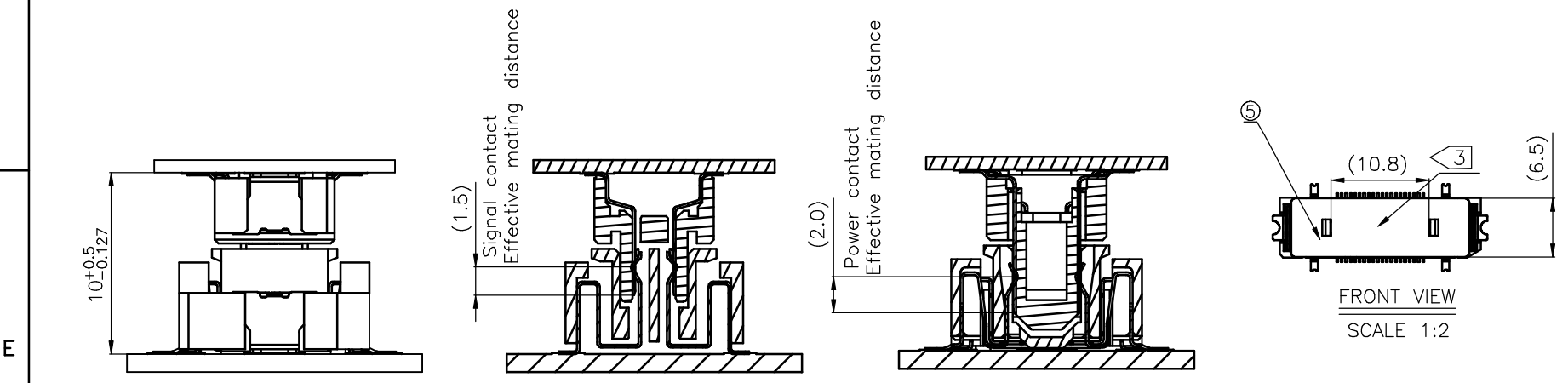
BACK VIEW
 SCALE 1:1

ITEM	DESCRIPTION	Q'TY	MATERIAL	FINISH
5	COVER	1	PA	(TAPE FOR VACUUM PICKUP)
4	Power Pin	4	BRONZE ALLOY	1.3um Min Ni PLATING OVERALL Contact Area:0.05um Min Au Lead Area:0.03um Min Au
3	TERMINAL	40	PHOSPHOR BRONZE	1.3um Min Ni PLATING OVERALL Contact Area:0.5um Min Au Lead Area:0.03um Min Au
2	PAD	2	BRASS	1um Min Tin PLATING OVERALL
1	HOUSING	1	PA	COLOR OF NATURAL,UL94 V-0

EXTEND USE		TITLE			
0.5 Pitch BTB CONNECTOR		0.5 Pitch BTB Customer Drawing			
UNIT mm		MATERIAL		DWG NO	
GENERAL TOLERANCE (G)		APPD		C-5.057A0	
DIMENSION		QTY		P/N:	
ANGLES		FINISHED		5.057A0-040-1R0	
±0.30	±3'	DRN		SHEET	
±0.25	±2'	White		SCALE	
±0.20	±1'	2020.03.03		1/1	
±0.10				REV	
				X4	

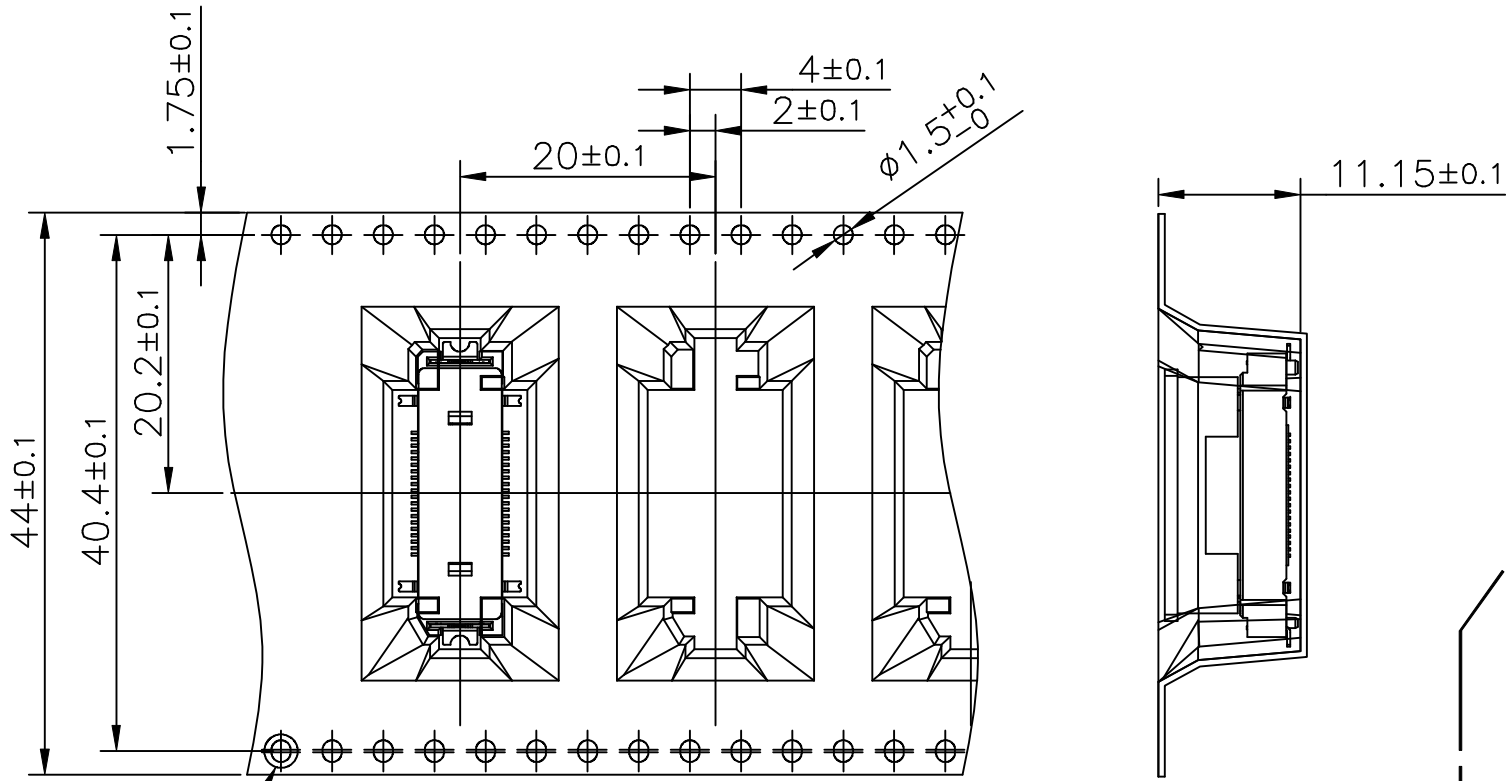


CROSS SECTION OF MATING
 SCALE 1:1

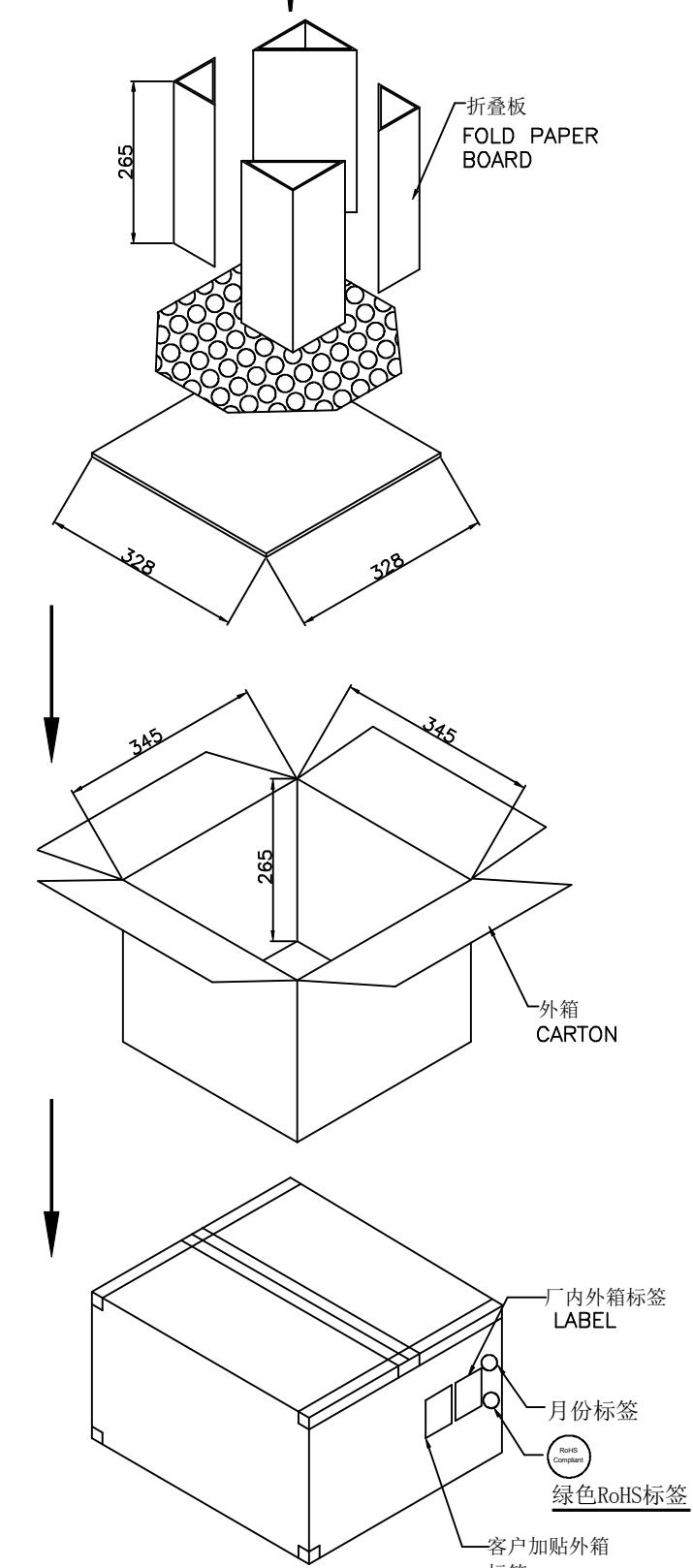
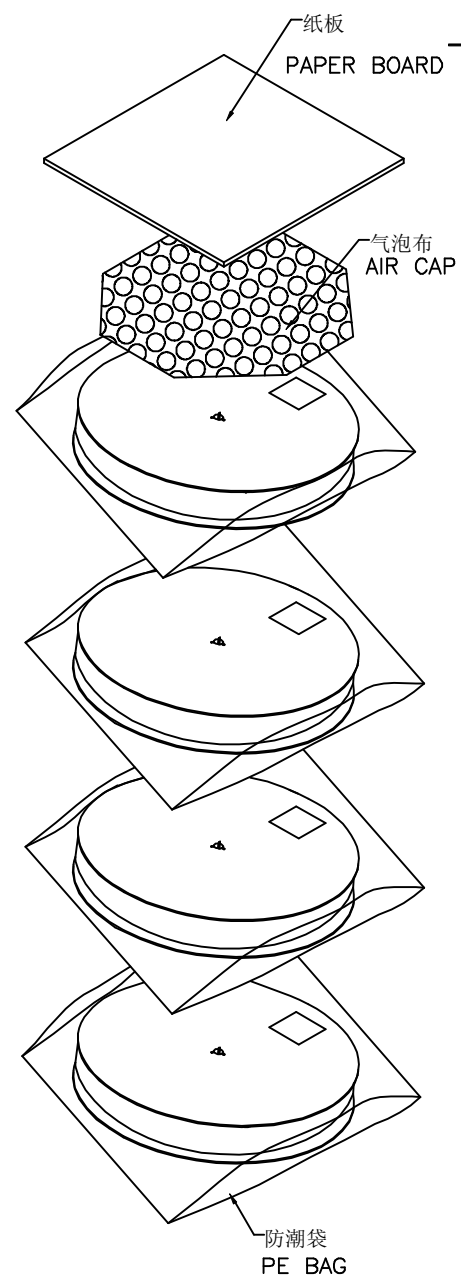
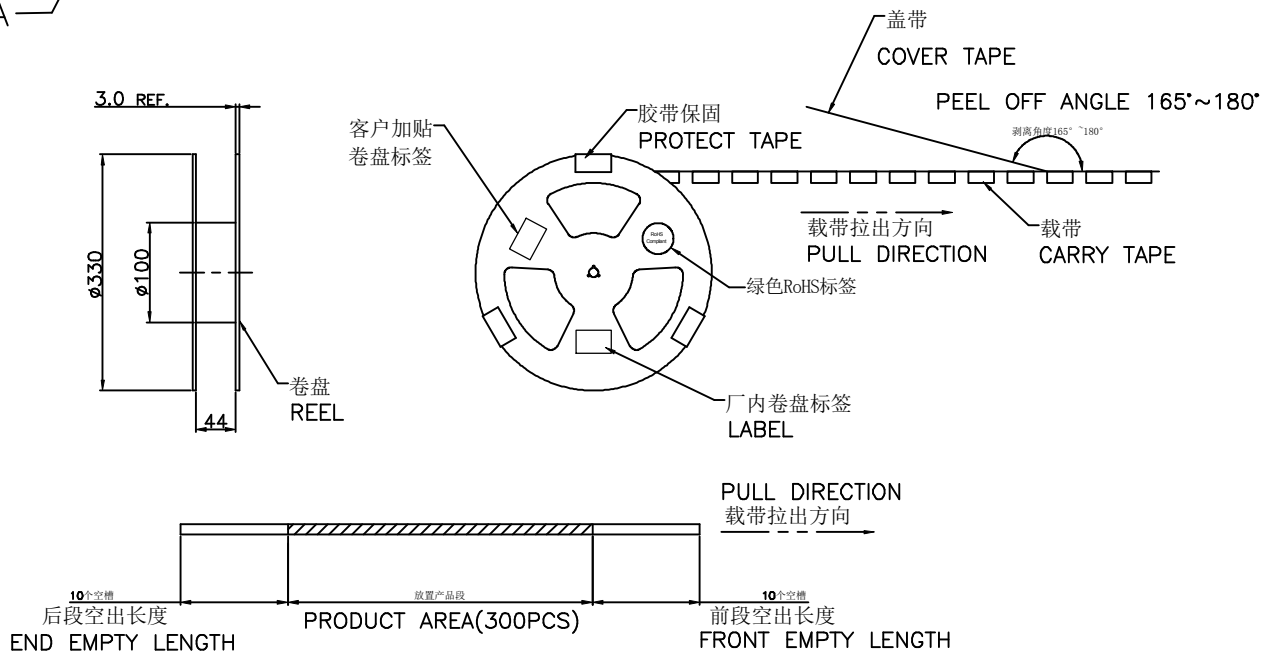


FRONT VIEW
 SCALE 1:2

REV	ECN NO	DESCRIPTION	DATE	APPD
X1	ECN1910***	INITIAL EDITION	2019.09.26	BILL
X2	ECN1910***	INITIAL EDITION	2019.10.10	BILL
X3	ECN1910041	INITIAL EDITION	2019.10.30	BILL
X4	ECN2003***	INITIAL EDITION	2020.03.03	BILL



DETAL A



(LOT NO条形码)
LOT NO.:
(数量条形码)
Q'TY:
(P/N条形码)
PART NO.:
(物料描述条形码)
物料描述
昆山嘉华电子有限公司
MADE IN CHINA

卷盘标签示意图

(客户要求条形码)
200178200540P1005R26*****
供货商名称 昆山嘉华电子有限公司
采购合同编号 (根据采购订单信息填写)
存货编码 207S40P1005R26
供应商料号 5.057A0-040-1R0
物料名称 嘉华表贴双排浮动式插座0.5 40P M
批次号
生产日期
订单总数量 (根据采购订单信息填写数量) PCS
装箱(包)数量 300PCS
物料描述
利亚德电视技术有限公司
地址: 北京市大兴区西红门镇鼎业路9号任草西邻
电话: 010-69280888
利亚德

客户加贴卷盘标签示意图

(LOT NO条形码)
LOT NO.:
(数量条形码)
Q'TY:
(P/N条形码)
PART NO.:
(物料描述条形码)
物料描述
昆山嘉华电子有限公司
MADE IN CHINA

厂内外箱标签

(客户要求条形码)
200178200540P1005R26*****
供货商名称 昆山嘉华电子有限公司
采购合同编号 (根据采购订单信息填写)
存货编码 207S40P1005R26
供应商料号 5.057A0-040-1R0
物料名称 嘉华表贴双排浮动式插座0.5 40P M
批次号 (包含内箱内的所有批次信息)
生产日期
订单总数量 (根据采购订单信息填写数量) PCS
装箱(包)数量 1200PCS
物料描述
利亚德电视技术有限公司
地址: 北京市大兴区西红门镇鼎业路9号任草西邻
电话: 010-69280888
利亚德

客户加贴外箱标签示意图

1: 包装内容
INFORMATIONS OF THE PACKING

料号 (P/N)	一卷包装数量 Q'TY/REEL	一箱包装数量 Q'TY/CARTON
5.057A0-040-1R0	300PCS	1200PCS

EXTEND USE	UNIT mm	TITLE	DWG NO
0.5Pitch BTB CONNECTOR		5.057A0 CONNECTOR CUSTOMER PACKING	
GENERAL TOLERANCE	MATERIAL	APPD	C-5.057A0-P
DIMENSION	QTY	CHD	P/N:
.0 ±0.30	FINISHED	DRN	5.057A0-040-1R0
.0 ±0.25		White	SHEET
.00 ±0.20		2020.03.03	SCALE
.000 ±0.10			1/1
			SCALE
			1:1
			REV
			X4